
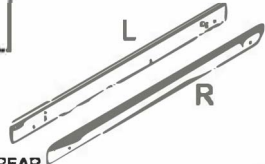
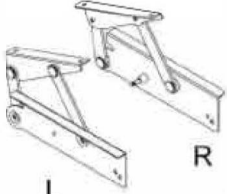






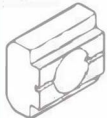
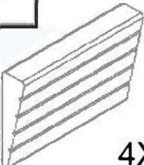






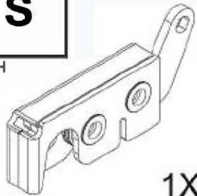
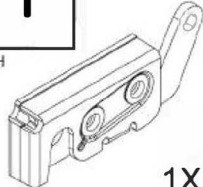




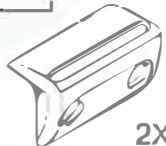

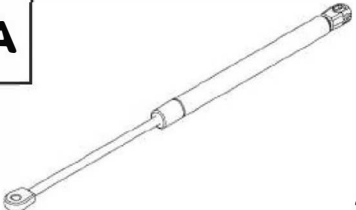

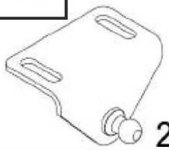

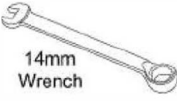




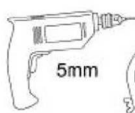
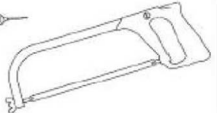


# UpStoneEvolve

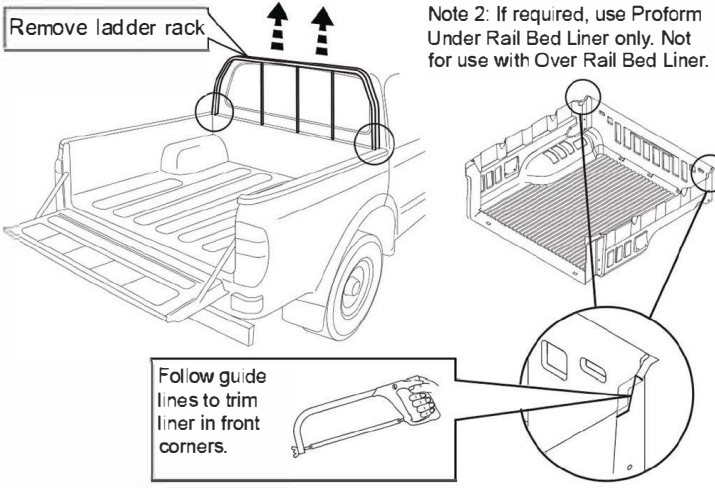
INSTALLATION INSTRUCTIONS EVO1900

DR AUTO EVO CROSS4

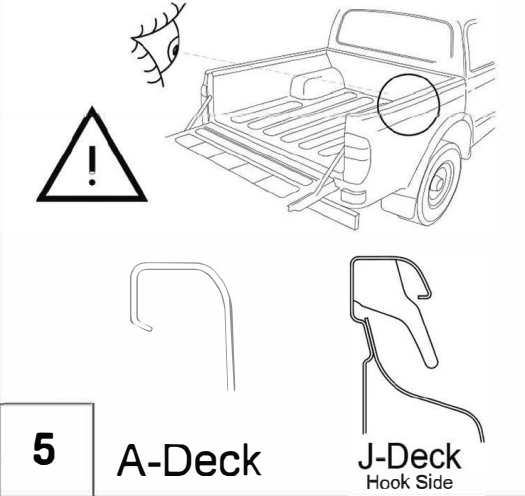
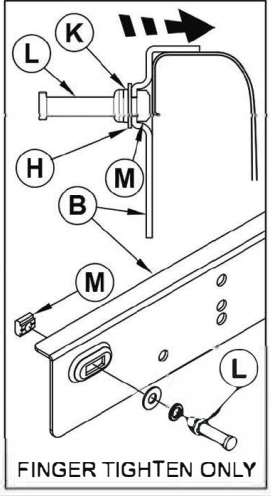
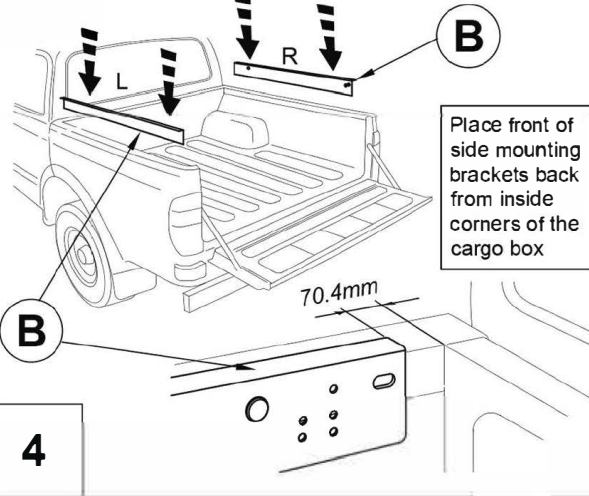
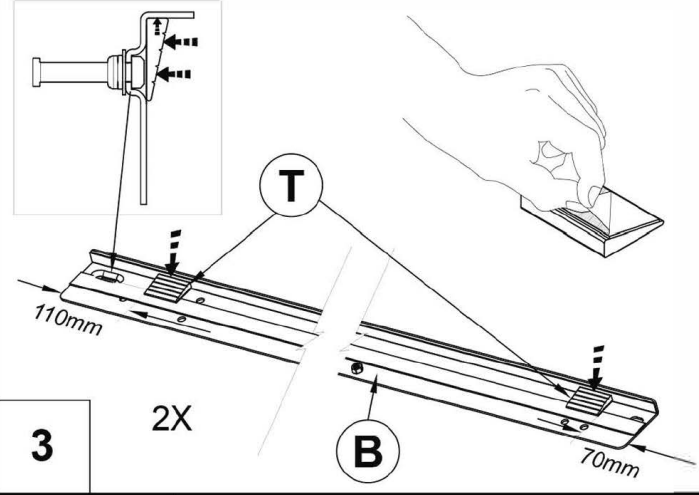
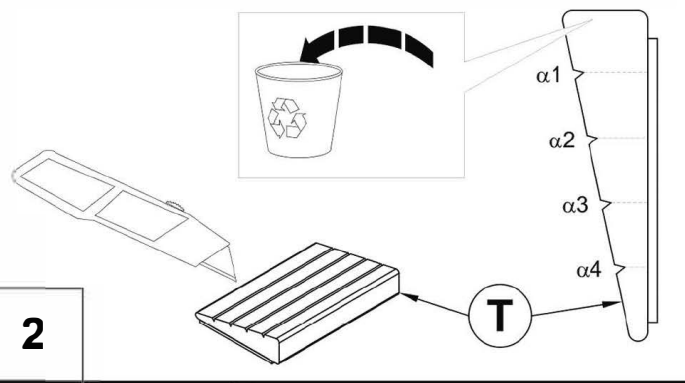
<p><b>A</b></p>  <p>1X</p>	<p><b>B</b></p>  <p>REAR</p> <p>1X</p>	<p><b>C</b></p>  <p>L R</p> <p>1X</p>	<p><b>D</b></p>  <p>2X</p>		
<p><b>E</b></p>  <p>4X</p>	<p><b>F</b></p> <p>M8x25mm</p>  <p>4X</p>	<p><b>G</b></p> <p>M8 x16 Stainless Steel Washer</p>  <p>10X</p>	<p><b>H</b></p> <p>M8 Stainless Steel Spring Washer</p>  <p>6X</p>	<p><b>I</b></p>  <p>2X</p>	<p><b>J</b></p>  <p>2X</p>
<p><b>K</b></p>  <p>4X</p>	<p><b>L</b></p>  <p>2X</p>	<p><b>M</b></p> <p>M8 Nylock</p>  <p>8X</p>	<p><b>N</b></p> <p>M6x18</p>  <p>12X</p>	<p><b>O</b></p> <p>M6x13mm Zinc</p>  <p>12X</p>	<p><b>P</b></p> <p>M6x10mm</p>  <p>8X</p>
<p><b>R</b></p> <p>M8 x16 Zinc Washer</p>  <p>4X</p>	<p><b>S</b></p> <p>RH</p>  <p>1X</p>	<p><b>T</b></p> <p>LH</p>  <p>1X</p>	<p><b>U</b></p> <p>M5 Cable Bolt, Washer &amp; Dome Nut</p>  <p>2X</p>	<p><b>V</b></p>  <p>2X</p>	
<p><b>W</b></p>  <p>2X</p>	<p><b>X</b></p>  <p>2X</p>	<p><b>Y</b></p>  <p>2X</p>	<p><b>Z</b></p>  <p>4X</p>	<p><b>AA</b></p>  <p>2X</p>	
<p><b>AB</b></p>  <p>1X</p>	<p><b>AC</b></p>  <p>2X</p>	<p><b>Note 1:</b> If at any stage of installation you find your sportlid to be an unacceptable fit please contact the manufacturer before continuing.</p> <p><b>Note 2:</b> If required, use Under Rail Bed Liner only. <b>NOT FOR USE WITH OVER RAIL BED LINER!</b></p> <p><b>Tools Required:</b></p>  <p>4mm &amp; 5mm Hex Key</p>  <p>14mm Wrench</p>    <div style="border: 1px solid black; padding: 5px; margin-top: 10px;"> <p><b>OPTIONAL</b></p>    </div>			

<p>Fitting Kit Number <b>KIT1900RLBF</b></p>	<p>Product Upstone Lid</p>	<p>Revision 1</p>	<p>Date 10-09-2013</p>	<p>Page 1/12</p>
--	--------------------------------	-----------------------	----------------------------	----------------------

1



Vehicle Model	$\alpha$
Toyota Hilux Double Cab 2005 A-Deck N25S, N25T	1
Toyota Hilux Double Cab 2005 J-Deck	N/A - Do Not Fit



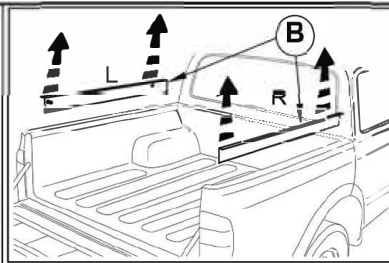
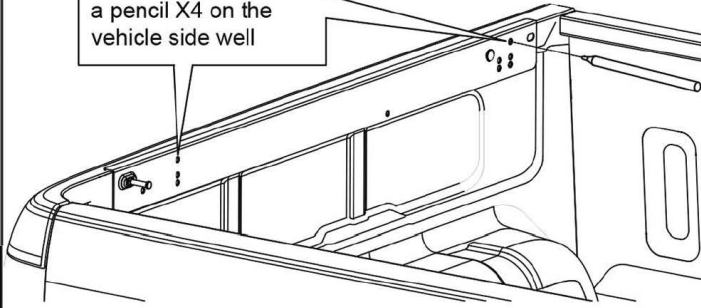
Fitting Kit Number	Product	Revision	Date	Page
KIT1900RLBF	Upstone Lid	1		2/12

6a

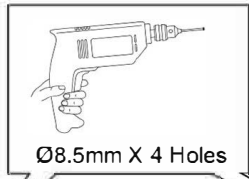
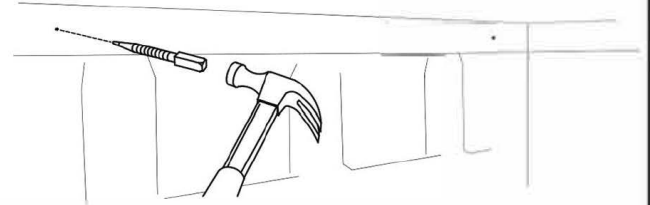


J-Deck Only

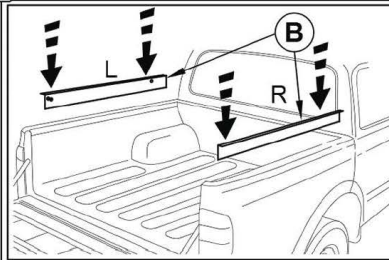
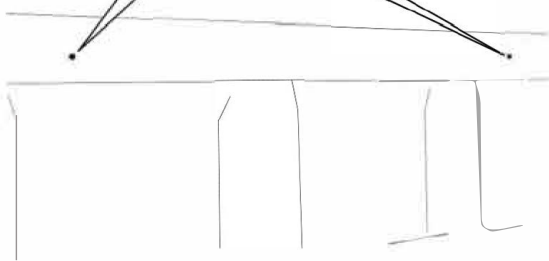
Mark centre holes with a pencil X4 on the vehicle side well



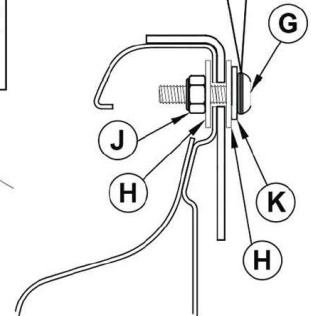
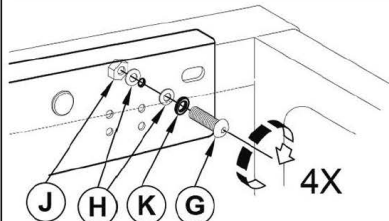
Remove side mounting brackets and mark hole positions with a hole punch (Not supplied) X4



Ø8.5mm X 4 Holes



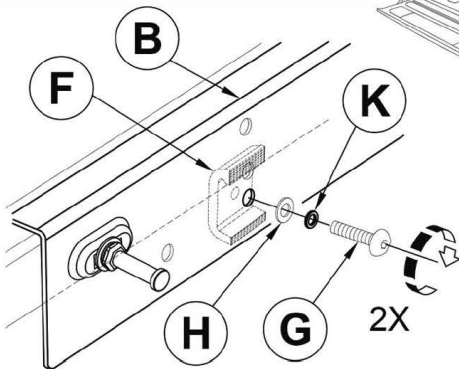
MAX TORQUE SETTING = 8.5Nm OR 6.3 Ft/Pounds



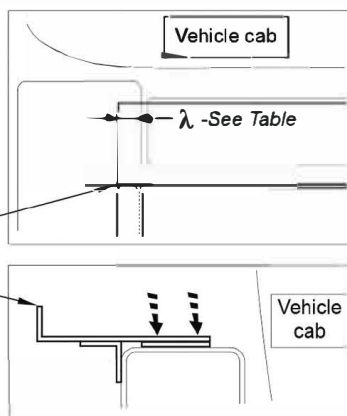
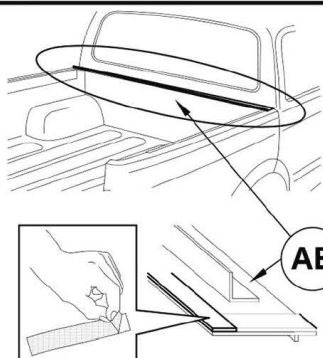
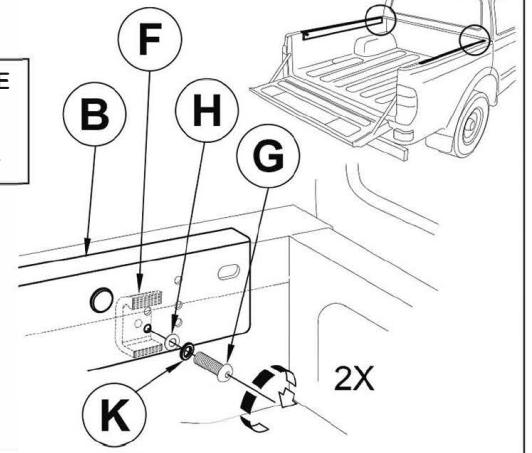
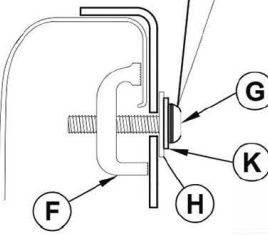
6b



A-Deck Only



MAX TORQUE SETTING = 8.5Nm OR 6.3 Ft/Pounds



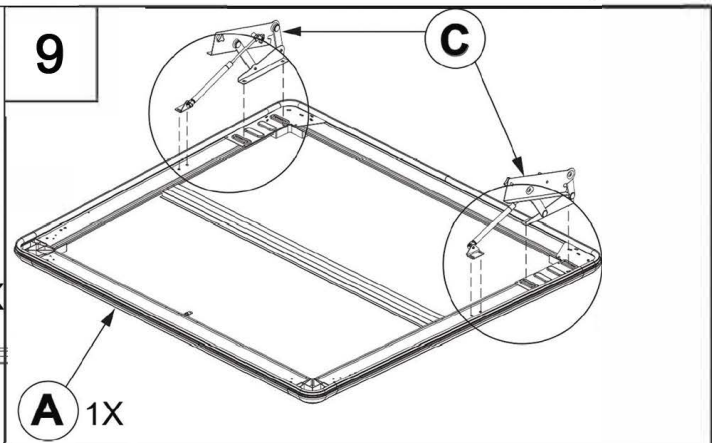
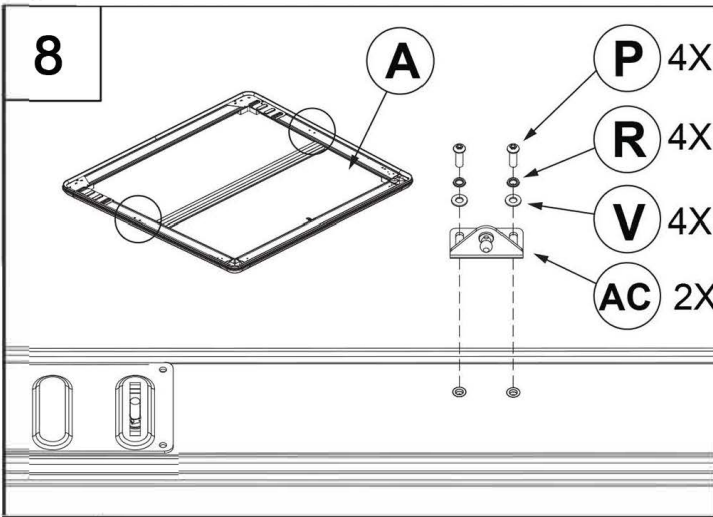
Vehicle Model	λ
Toyota Hilux Double Cab 2005 A-Deck N25S, N25T	23mm
Toyota Hilux Double Cab 2005 J-Deck	16mm

7

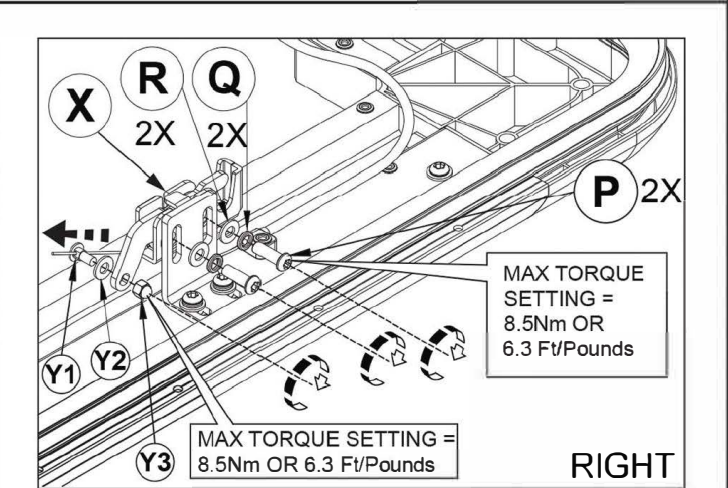
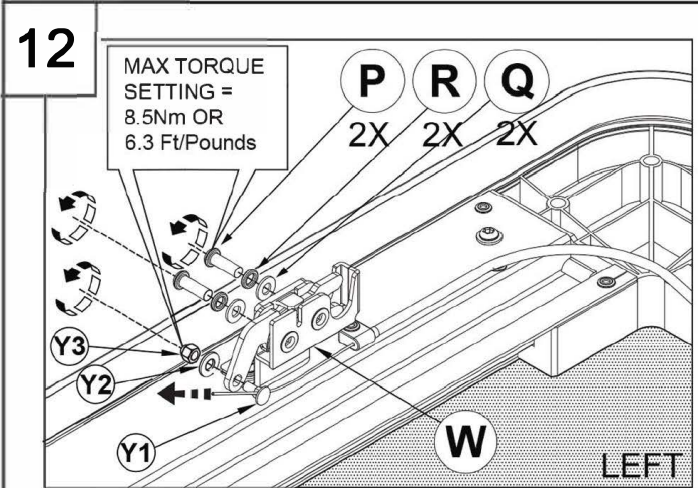
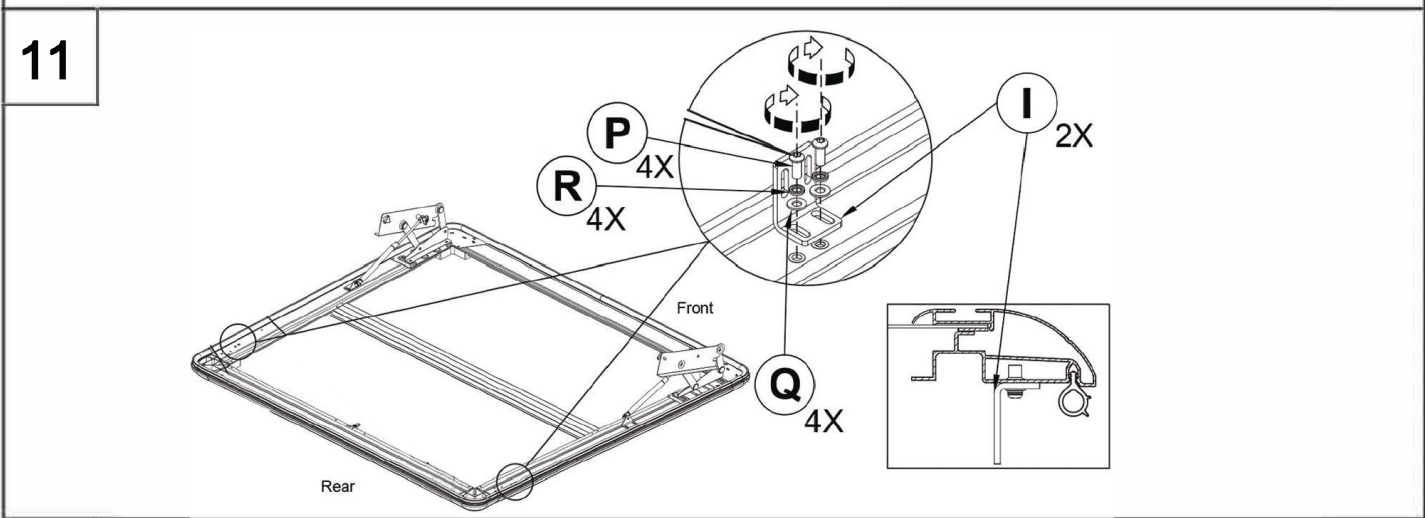
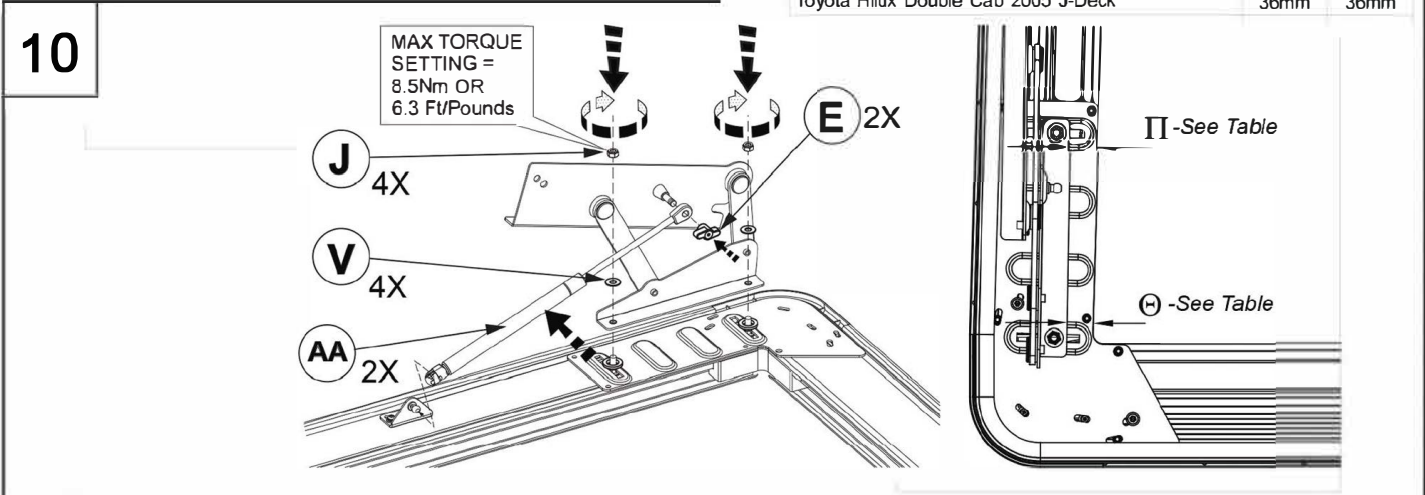


DO NOT apply below 15°C.  
Apply pressure to part. Adhesive is pressure activated.  
Allow 3hrs minimum to cure before installing lid

Fitting Kit Number	Product	Revision	Date	Page
KIT1900RLBF	Upstone Lid	1		3X12

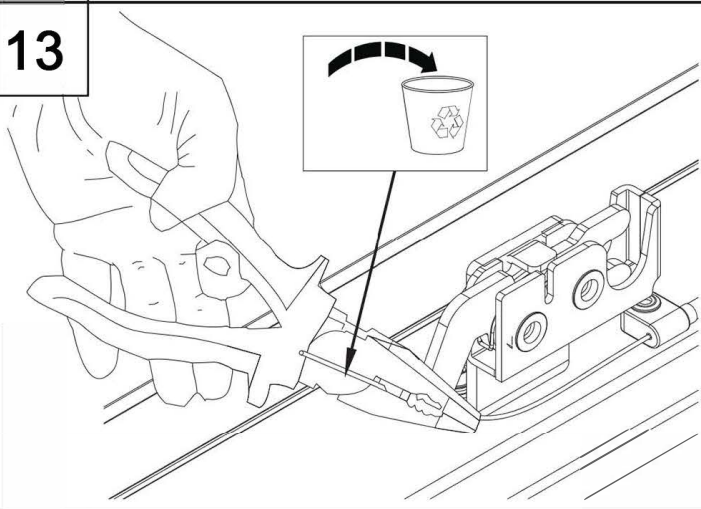


Vehicle Model	Π	Θ
Toyota Hilux Double Cab 2005 A-Deck N25S, N25T	31mm	31mm
Toyota Hilux Double Cab 2005 J-Deck	36mm	36mm

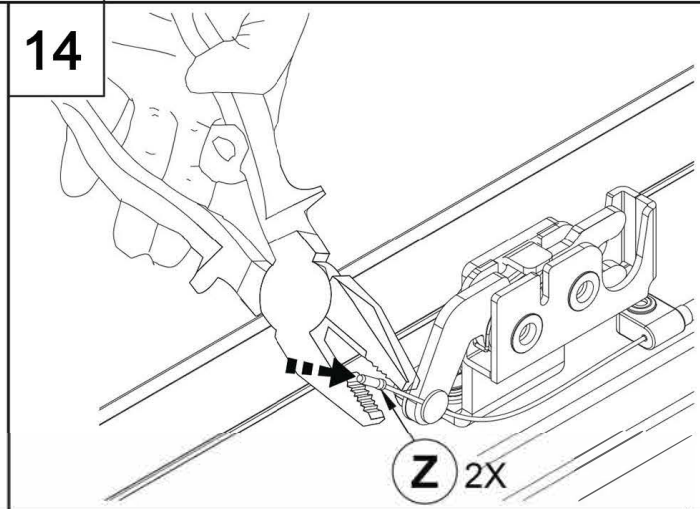


Fitting Kit Number	Product	Revision	Date	Page
KIT1900RLBF	Upstone Lid	1		4/12

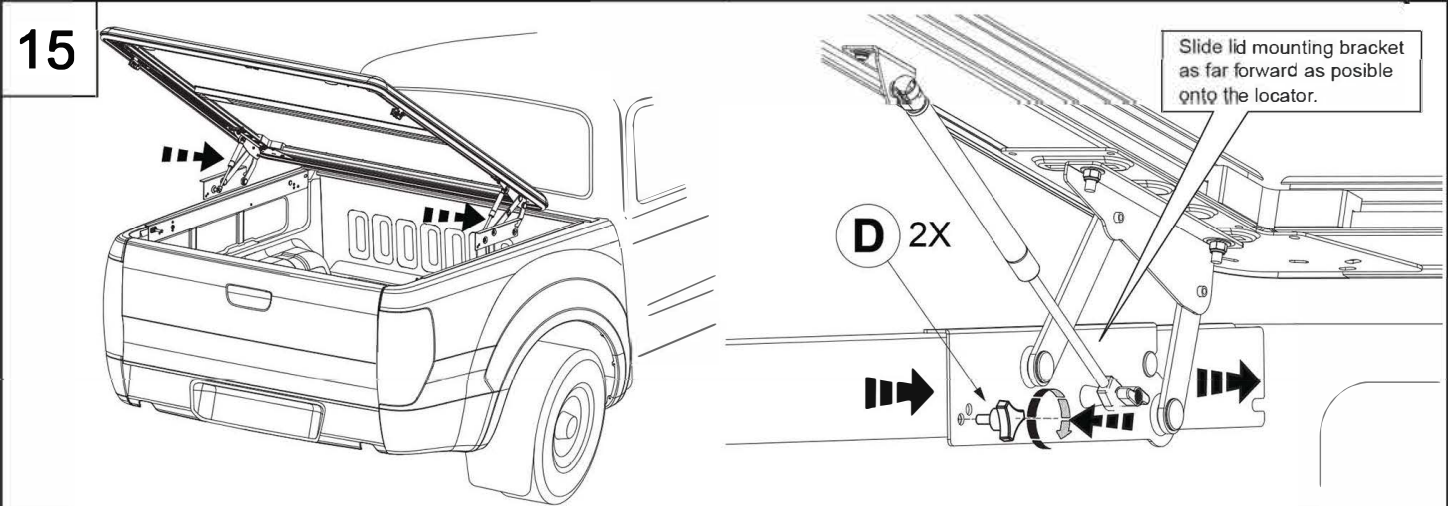
13



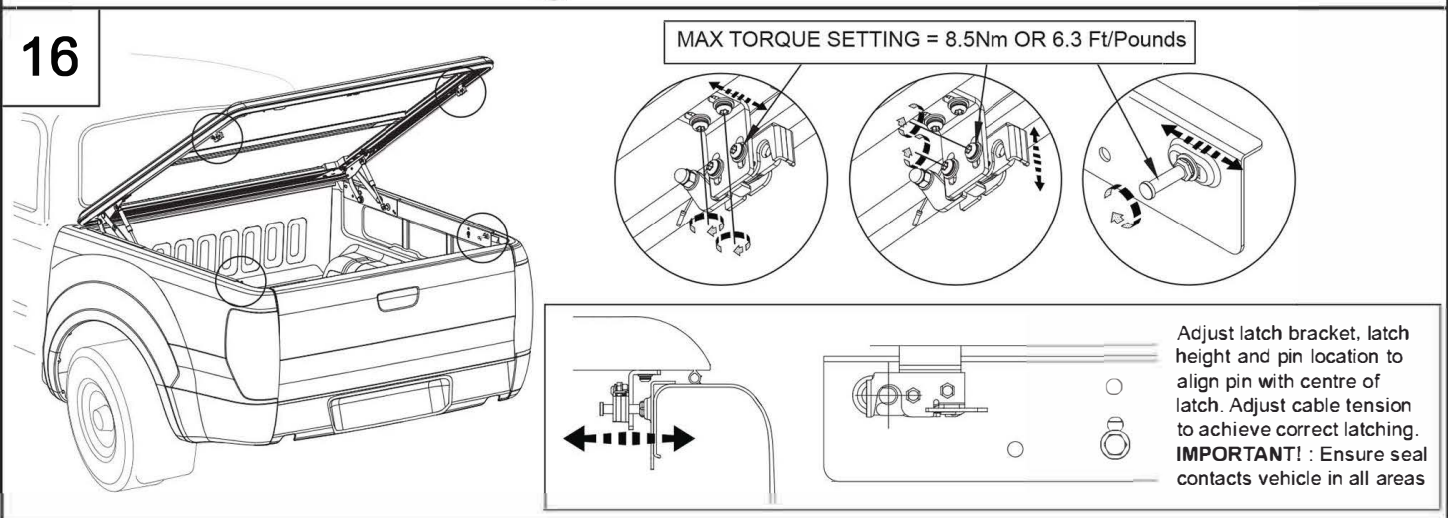
14



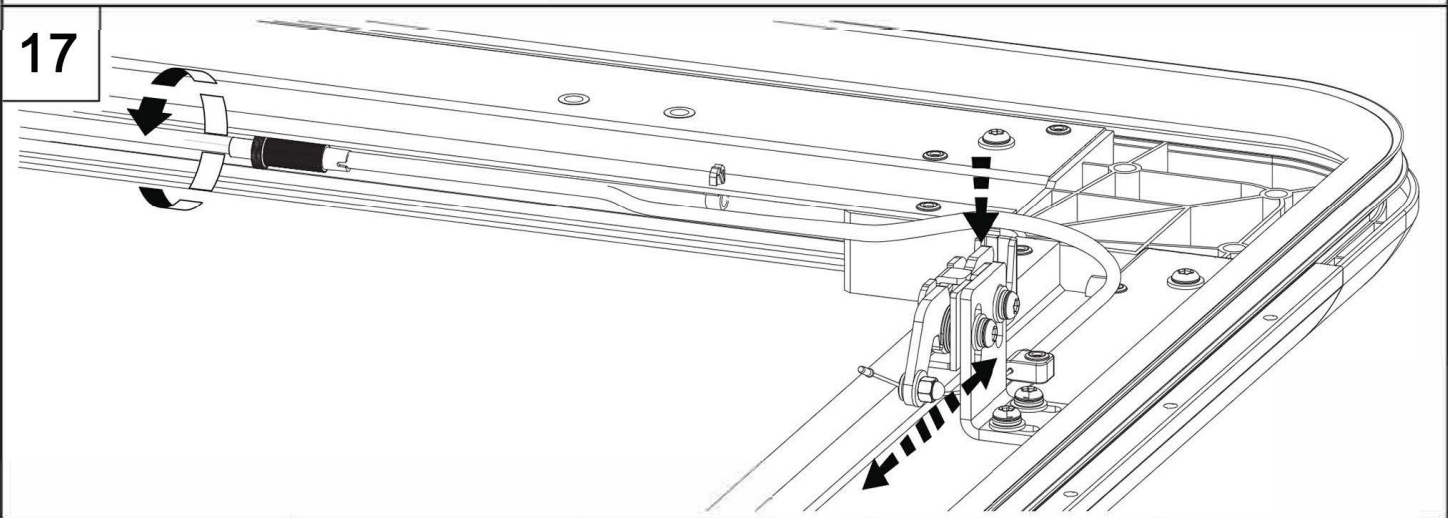
15



16



17

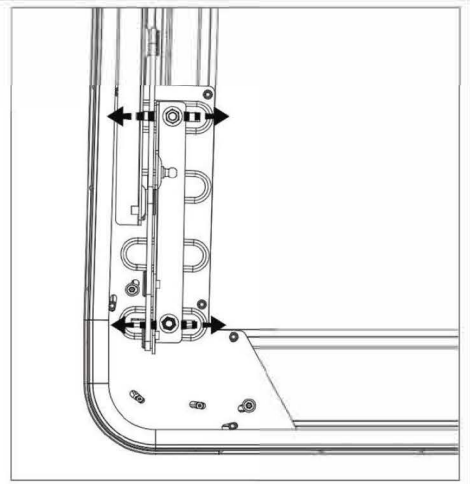
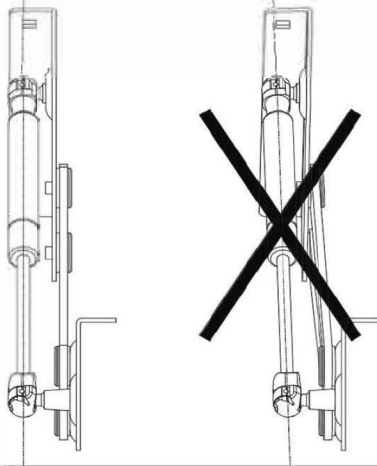


Fitting Kit Number	Product	Revision	Date	Page
KIT1900RLBF	Upstone Lid	1		5/12

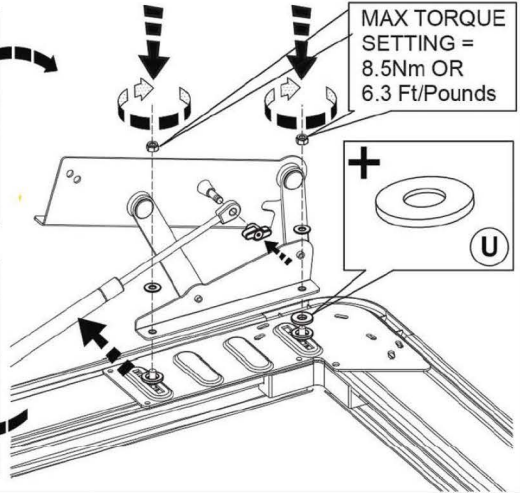
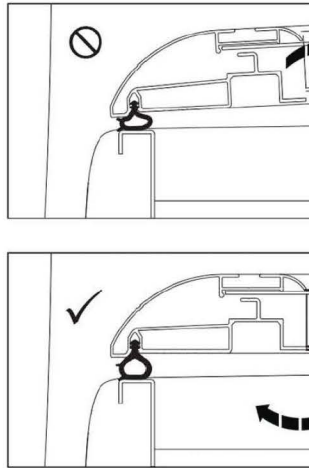
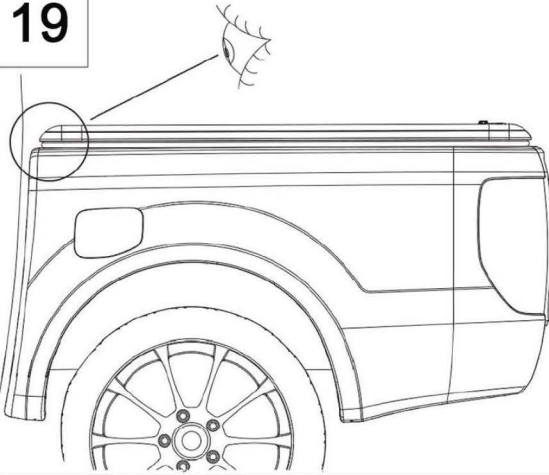
18



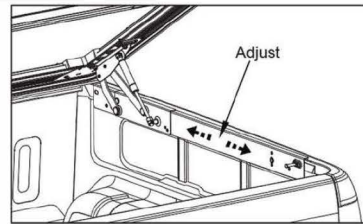
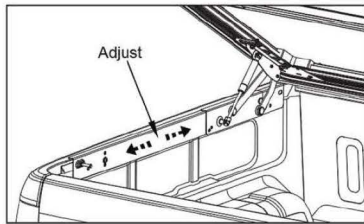
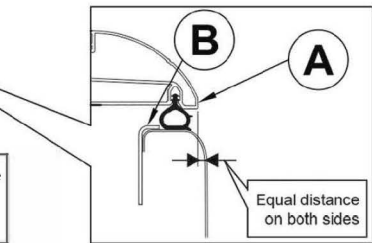
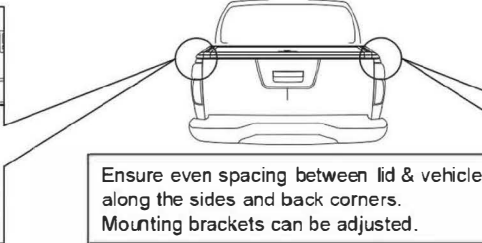
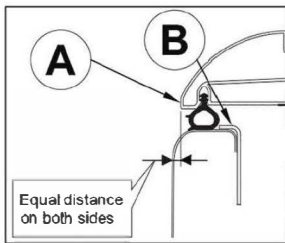
Insure hinge is not twisted. Adjust connection to lid if nessessary.



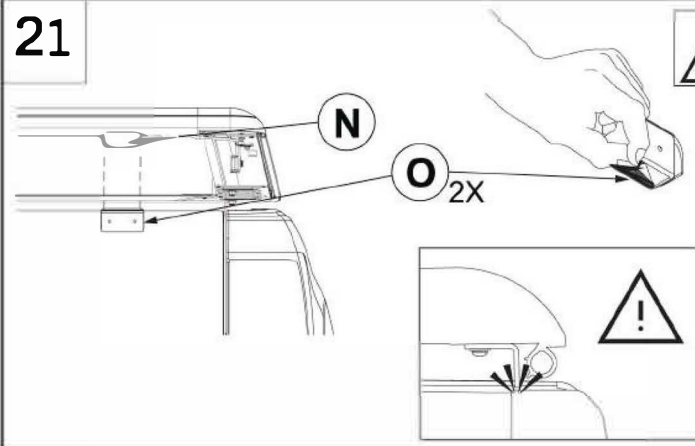
19



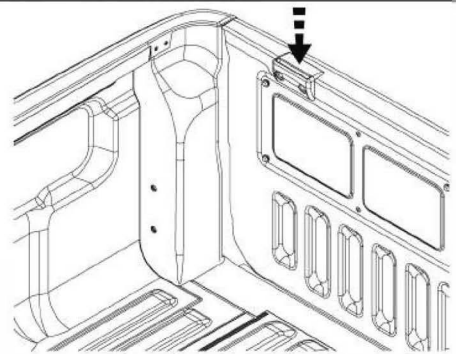
20



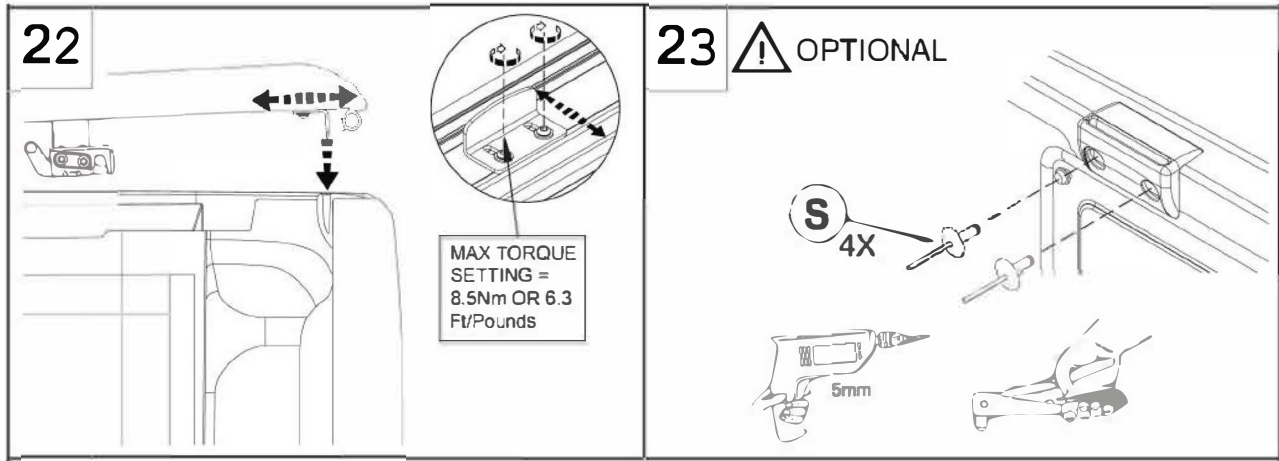
21




DO NOT apply below 15°C. Apply pressure to part. Adhesive is pressure activated. Allow 3hrs minimum to cure.



Fitting Kit Number	Product	Revision	Date	Page
KIT1900RLBF	Upstone Lid	1		6/12



After installation carefully and thoroughly clean all debris from the inside of the cargo box.  
**Retain these instructions for future reference**



## CAUTION!

- NEVER allow people or animals under the closed cover
- Do not place unsealed solvents or chemicals under the cover
- Do not stand or place heavy objects on the cover
- Do not open lid when under load.
- Close the cover before operating the vehicle
- Do not allow oil, solvents or chemicals to contact the cover
- Clean only with a mild detergent and water solution

Fitting Kit Number	Product	Revision	Date	Page
KIT1900RLBF	Upstone Lid	1		<b>7/12</b>

# EVO CROSS4



Item Code

**Codice Articolo**

**: RUP/470/IX**

*Référence Article*

**GB**

STAINLESS STEEL  
MEDIUM BAR









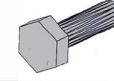


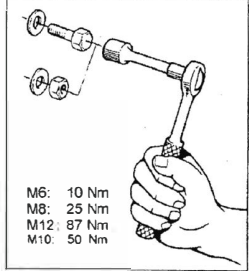
**FR**

**MEDIUM BAR  
EN ACCIER INOX**

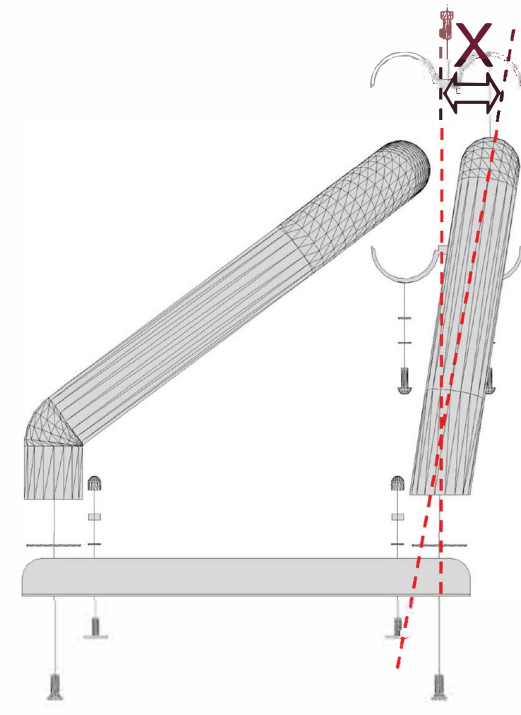
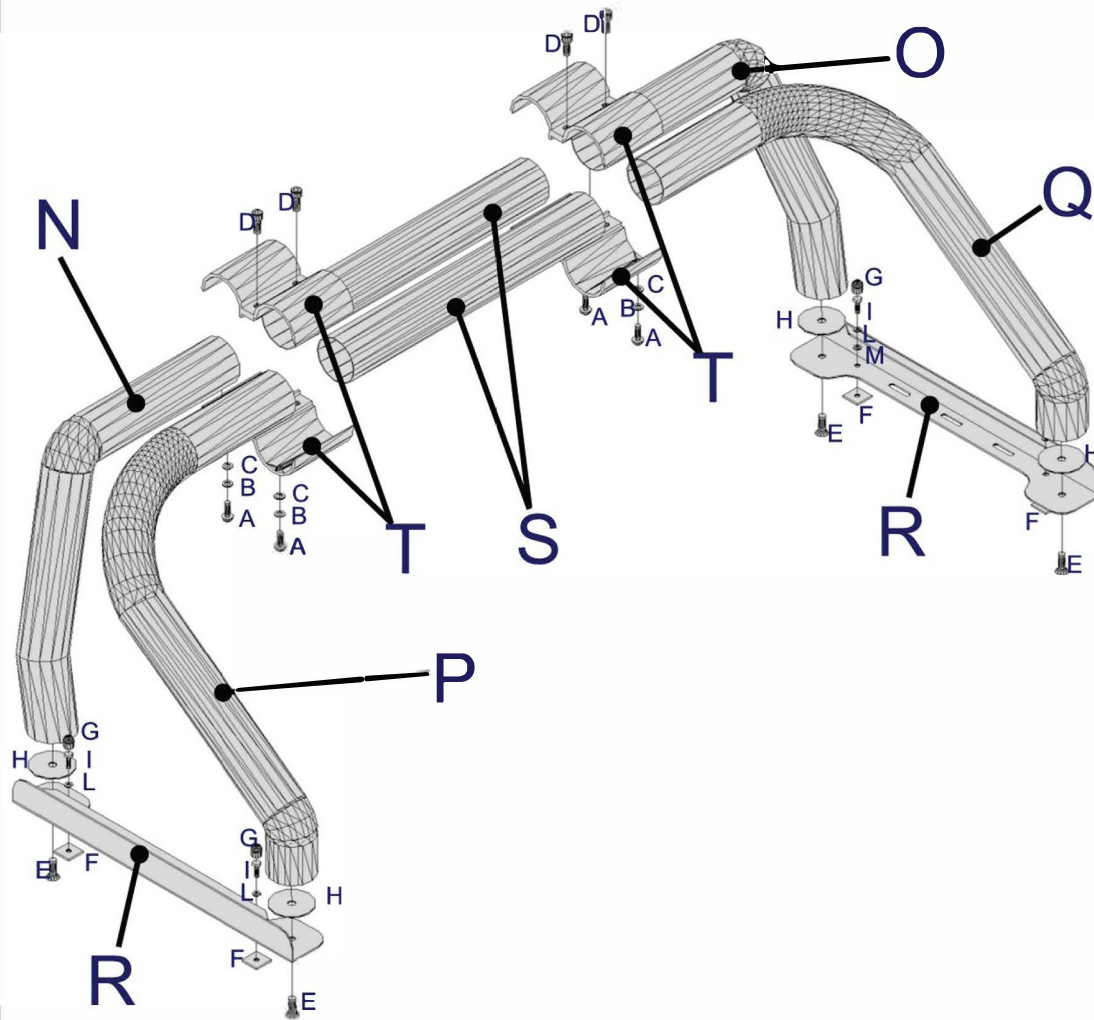
# EVO CROSS4

## Part List

Liste des pièces

<b>A</b>  <b>TBCEI 8X25</b> x 4	<b>B</b>  <b>Ø 8</b> x 4	<b>C</b>  <b>Ø 8</b> x 4	<b>D</b>  <b>TCEI 10X25</b> x 4	<b>E</b>  <b>TSPEI M10X25</b> x 4
<b>F</b>  <b>M6</b> x 4	<b>G</b>  <b>Cappelletti M6</b> x 4	<b>H</b>  <b>VIPLA Ø 80</b> x 4	<b>I</b>  <b>TE 6X15</b> x 4	<b>L</b>  <b>BIG Ø 6 GRAND</b> x 4
<b>M</b>  <b>Ø 6</b> x 4	<b>N</b> <b>AS7/SX</b> x1	<b>O</b> <b>AS7/DX</b> x1	<b>P</b> <b>PS7/SX</b> x1	<b>Q</b> <b>PS7/DX</b> x1
<b>R</b> <b>RLS/7TR</b> x2	<b>S</b> <b>RLB/06</b> x2	<b>T</b> <b>RLB Ø76</b> x2	 <p>M6: 10 Nm M8: 25 Nm M12: 87 Nm M10: 50 Nm</p>	

# EVO CROSS4



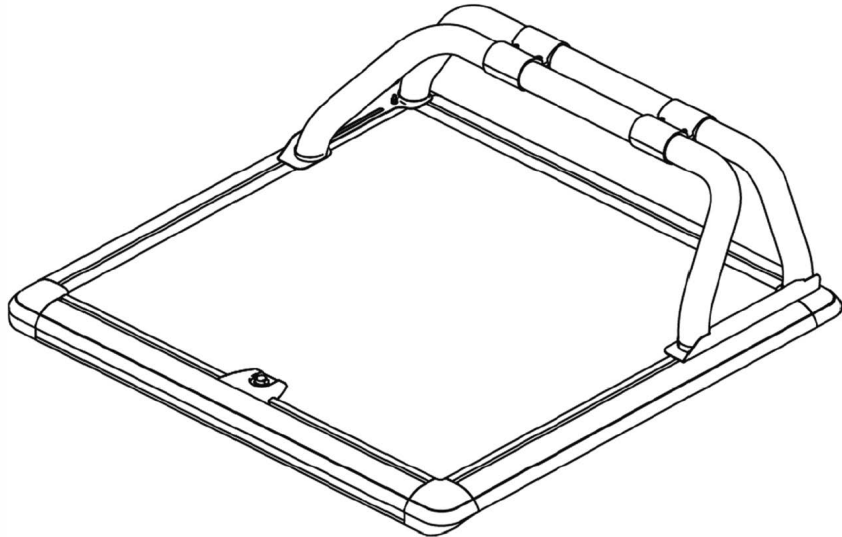
**WARNING:** fit the N and O front bends as shown in the drawing

*ATTENTION:* monter les curves anterieures N et O comme indique dans le dessin.

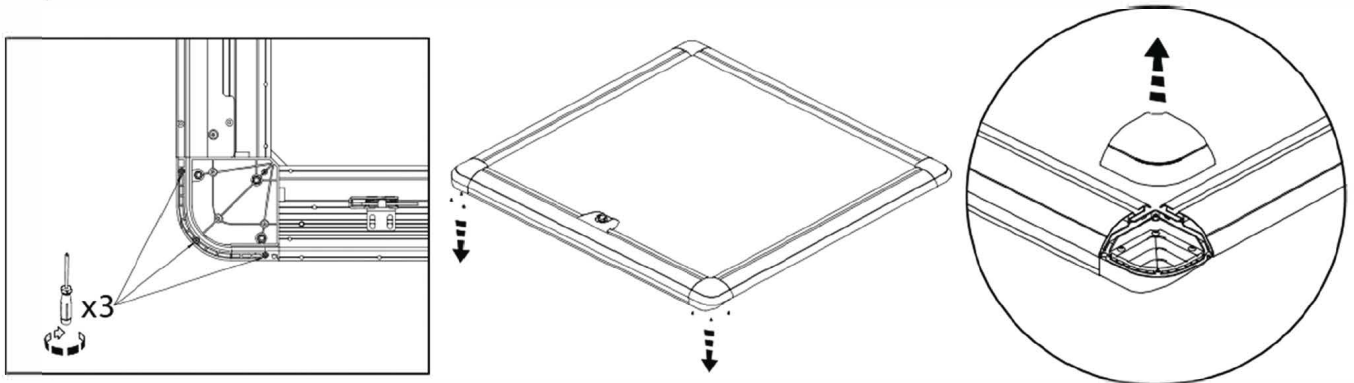
# UpStoneEvolve

INSTALLATION INSTRUCTIONS WITH ROLL BAR

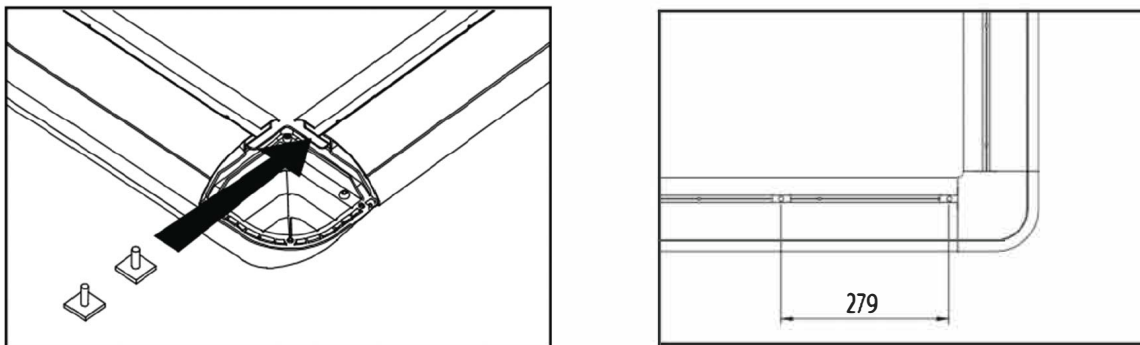
RLB76



- 1** Remove caps by unscrewing the 3 screws in the back corner both left and right.



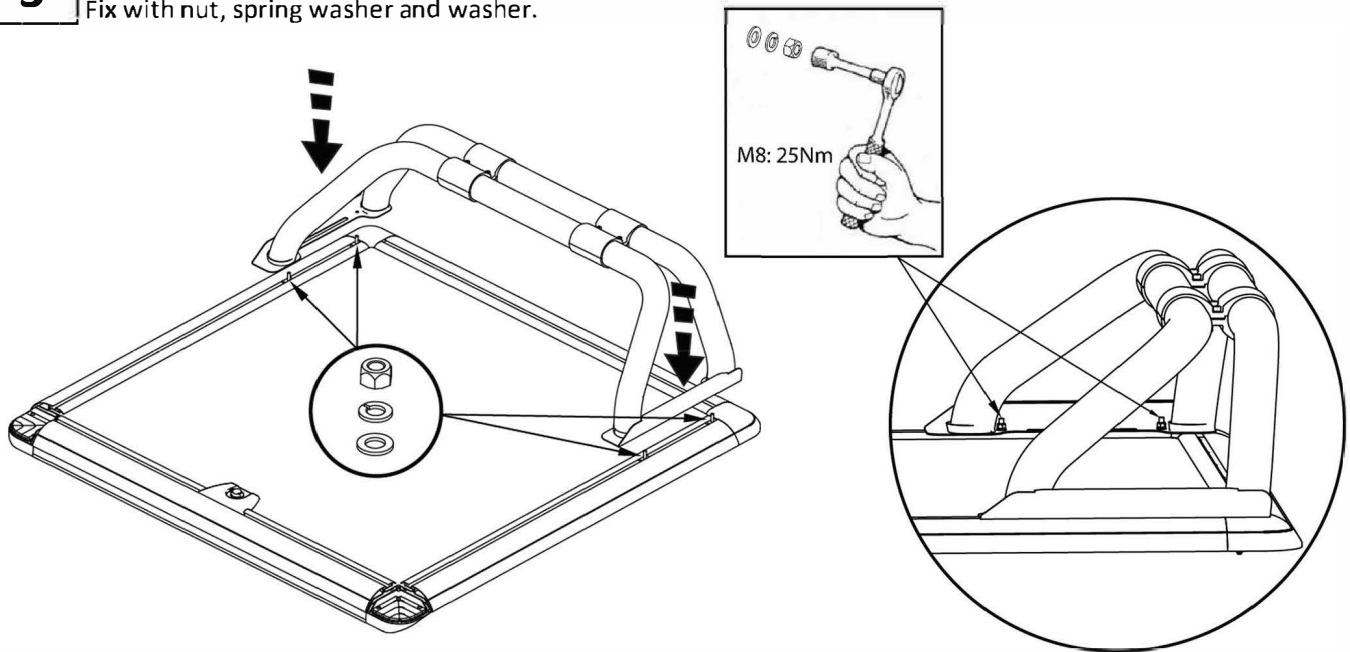
- 2** Insert 2 x Square bolts in both the left and right rails.



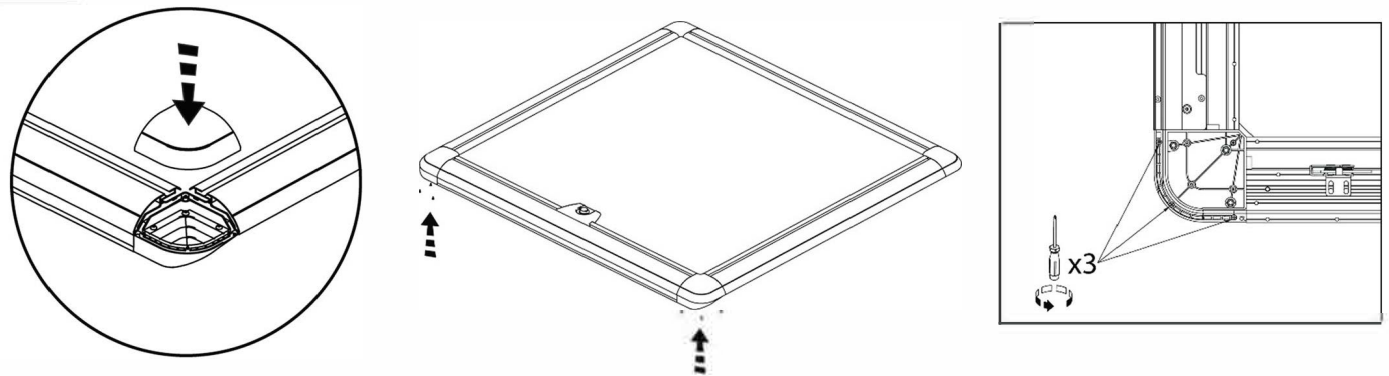
Fitting Kit Number	Product	Revision	Date	Page
RLB76F	Medium SS Bar	1		

**3**

Place the sport bar onto the cover aligning the holes on the foot plate with the square bolts inserts.  
Fix with nut, spring washer and washer.

**4**

Replace the caps on the covers corners



Fitting Kit Number	Product	Revision	Date	Page
RLB76F	Medium SS Bar	1		

# *UpStoneEvolve*

Info@upstone.fr